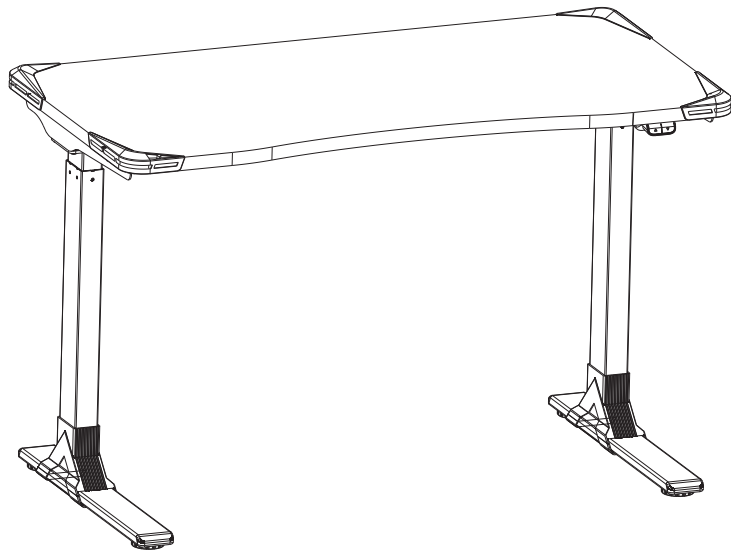


Item No.: SPE-G110

Installation guide

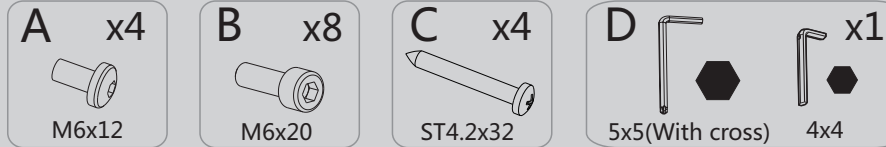


Technical Data

Item No.	SPE-G110
Column Design	2-stage & enhanced column
Maximum Load	50KG
Max Speed	25mm/s
Highest Position	1255mm
Lowest Position	755mm
Height range	500mm
Inner tube	70mmx40mmx2mm
Outer tube	75mmx45mmx1.5mm
Desktop	1200mmx600mmx25mm MDF

Accessory List

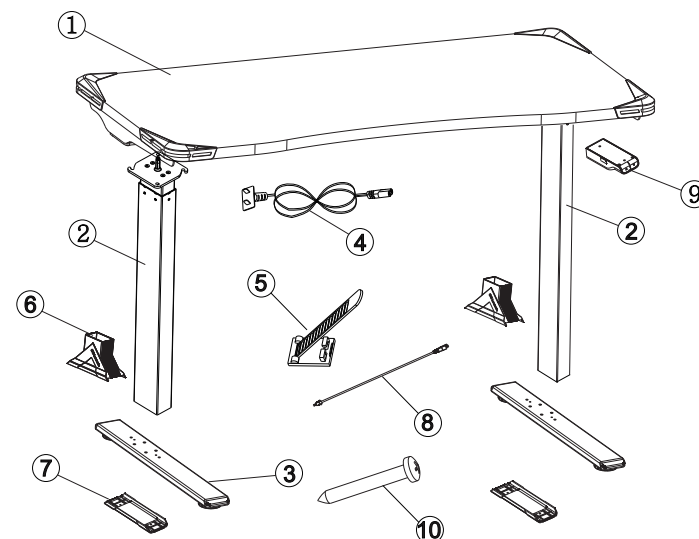
Attention: The drawings below are only for reference which might be slightly different from the actual object, please in kind prevail. Any tools missing or installation problems, please contact the customer service firstly.



Part List

No.	Part	Qty	No.	Part	Qty
①	Tabletop set	1	②	Left lifting column set	2
③	Feet	2	④	Power plug	1
⑤	Cable management	4	⑥	Lifting column cover	2
⑦	Feet cover	2	⑧	Switch cord	1
⑨	Handset	1	⑩	ST4.2x19 screw	2

Installation Instruction



STEP1 Install the lifting column

Install the left column

1. Insert the column coupling into the gear box as shown in the figure.
2. Rotate the left column to the position shown in the figure to avoid the screws, and rotate it counterclockwise after fully inserting it.
3. Rotate it as shown in the figure. Then use 4x4 allen key to tighten two M6x12 screws. The installation completes.
4. The installation of the other side column is the same as that of the left column, and the direction is the same.

Rotate the column after inserting it to the bottom to avoid height difference

Note: The method of installing the left column is the same as that of the right column, and the direction is the same.

STEP2 Install the feet

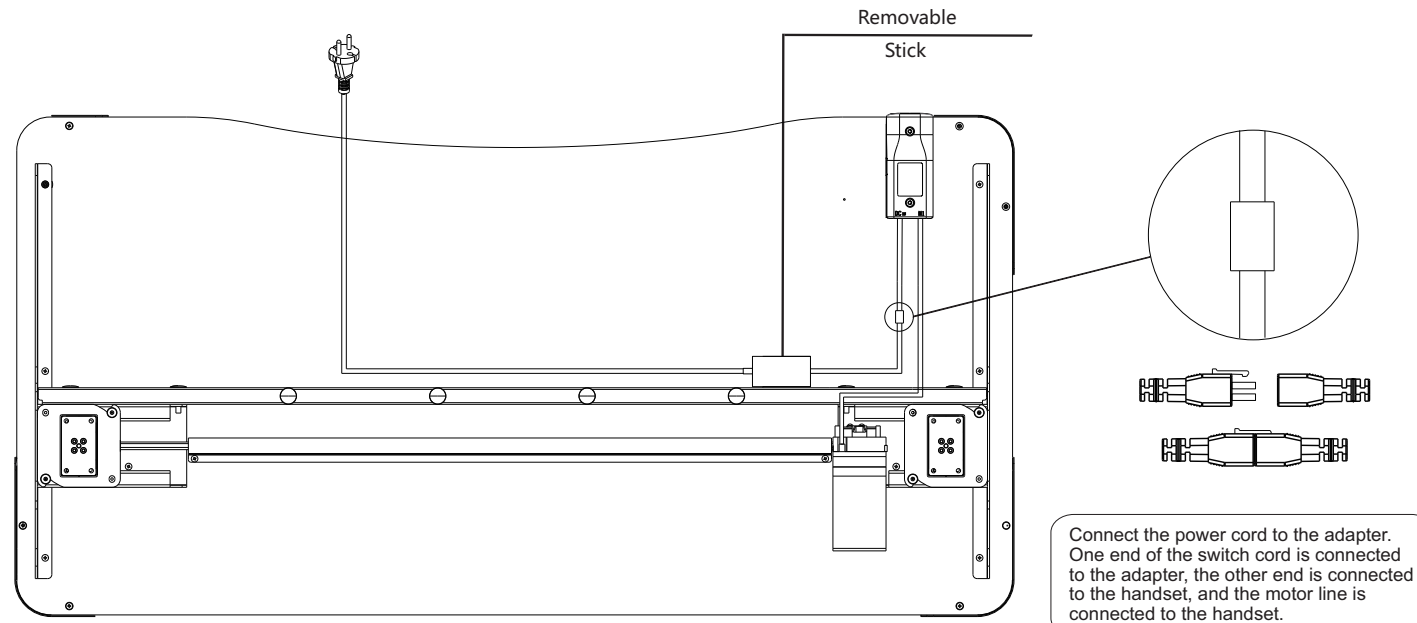
Connect the feet to the column, use a 4x4 wrench to screw M6x20 and tighten them, and use a 5x5 wrench to screw ST4.2x32 self-tapping screws to fix the lifting column cover and the feet cover.

STEP3 Install the key button

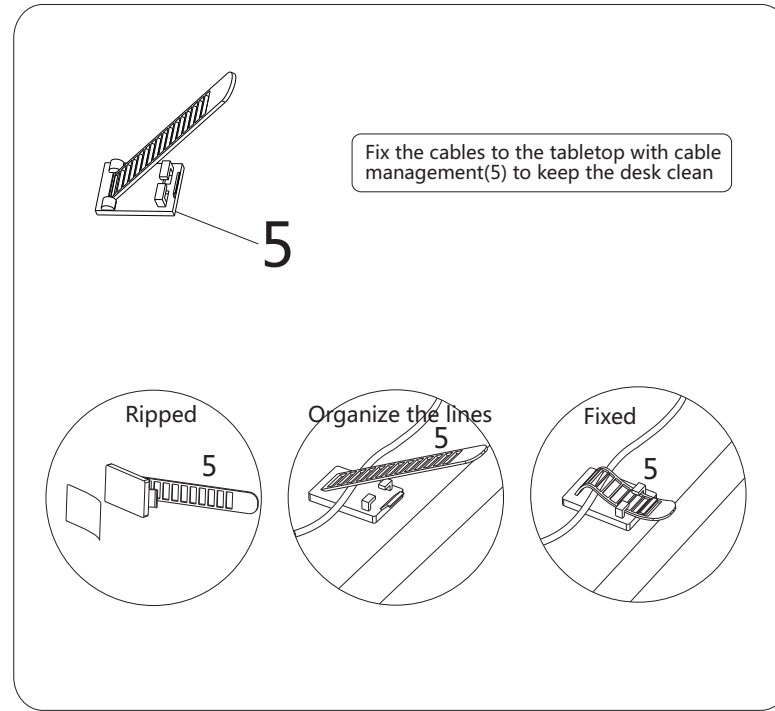
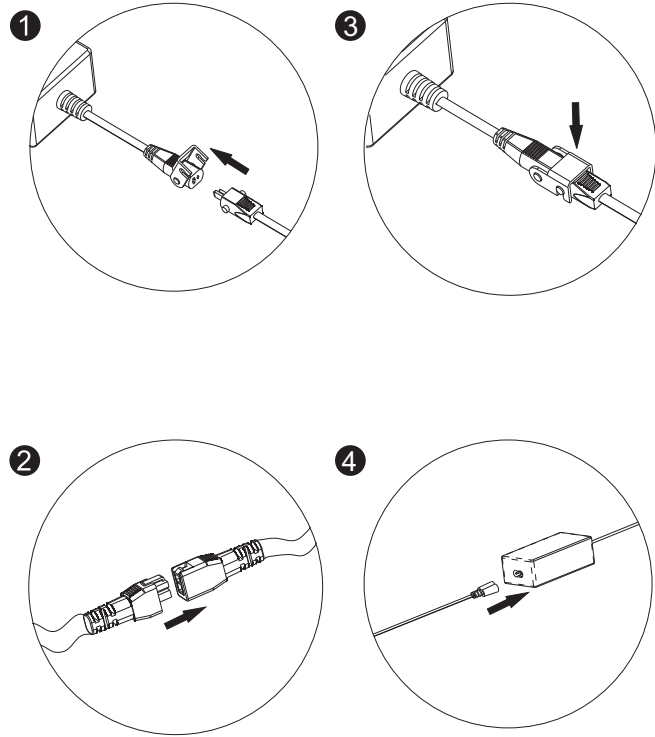
Place the key button in the position shown in the figure, align the two holes of the table as shown in the figure, and not align the other holes. Use a 5x5 hex wrench with a cross to screw two ST4.2x19 self-tapping nails and fix them.

STEP4

Install the cables



Connect the power cord to the adapter. One end of the switch cord is connected to the adapter, the other end is connected to the handset, and the motor line is connected to the handset.



Fix the cables to the tabletop with cable management(5) to keep the desk clean

How to use handswitch

●	“▲”	Adjust the desk upwards
●	“▼”	Adjust the desk downwards

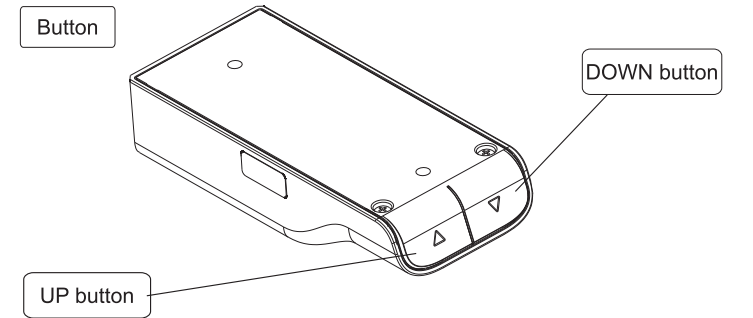
Instruction

- **Lifting Function:**
adjust the height of desk by pressing the button “▲” or “▼”
- **Reset Function:**
(1) When at the lowest position, long press the button “▼” for more than 5 seconds to enter the reset state. The reset is completed until the lifting system hits the bottom and rebounds to stop.
(2) When the lifting system has the problem, release the button. Then, long press the button “▼”, the reset is not completed until the lifting system hits the bottom and rebound to stop.
- **Resistance function:**
(1) Built-in sensor, when encountering any objects, the device instantly stops and reverses to avoid damage.
(2) Long press “▲” and “▼” bottoms for more than 5 seconds to turn on or off the resistance function.

Common fault treatment

The following tips will help you detected and eliminate the common fault and error. If the fault you met is not listed below, please contact with your supplier. Only the manufacturer and professionals are capable for investigating and correcting those fault and error.

Fault phenomenon	Method
No response while long pressing down arrow after connected with a power supply	1.Check if all the cables be connected well 2.Contact your supplier or dealer
The desktop could not be lifted	1.Check if overloaded, max loading: 50kg 2.Contact your supplier or dealer
Overwork (Duty cycle:Max 2min on/30min OFF)	1.Restart it after suspend for 30mins for the working time is too long 2.Contact your supplier or dealer



1. Power supply: AC100V~240V,50/60HZ
2. Service Environment: 0-40℃
3. Unplug the power plug before cleaning, wipe the dust on surface with slight wet dishcloth when cleaning, be careful not to let the drops into the internal parts, not loose the connector.
4. The electric box contains electronic components, metals, plastics, wires etc., so dispose of it in accordance with each country's environmental legislation, not the general household waste.
5. Check carefully to ensure correct and complete assembly before using.
6. Be familiar with all functions and program settings of the product before first use.
7. Children are forbidden to play on the product because of unforeseen action when playing, so any dangerous consequences caused by this improper action will not be on
8. Slight noise caused by the V-ribbed belt or brake system due to structure will not have any effect on the use of the equipment.
9. Corrosive or abrasive materials are forbidden to clean the equipment. Must ensure that the cleaner used will not pollute the environment.
10. Please make sure there is no hazard sources in your operating environment. e.g., do not litter the tools around. Always be careful to treat the packaging materials in order to avoid any possible danger, e.g. plastic bag may lead to choking hazard to children.
11. Keep the original package of the equipment if necessary in case of the future use in transportation.
12. The following tips will help you detected and eliminate the common fault and error. If the fault you met is not listed below, please contact with your supplier. Only the manufacturer and professionals are capable for investigating and correcting those fault and error.

Waste disposal



This marking indicates that this product should not be disposed with other household wastes. To prevent possible harm to the environment or human health from uncontrolled waste disposal, recycle it responsibly to promote the sustainable reuse of material resources. To return your used device, please use the return and collection systems or contact the retailer where the product was purchased. They can take this product for environmental safe recycling.

Made in ChRL for
DMTrade Mikołaj Tomaszewski
Wiśniowa 36, 64-000 Kościan, Poland

NIP: PL6981681757
email: sklep@dmtrade.pl
phone #1: +48 661 082 052
phone #2: +48 726 082 052

www.ergoline.spacetronek.eu

DMTrade Mikołaj Tomaszewski declares that the devcie complies with the directives EMC (2014/30/EU), LVD (2014/35/EU), RoHS (2011/65/EU + 2015/864/EU).