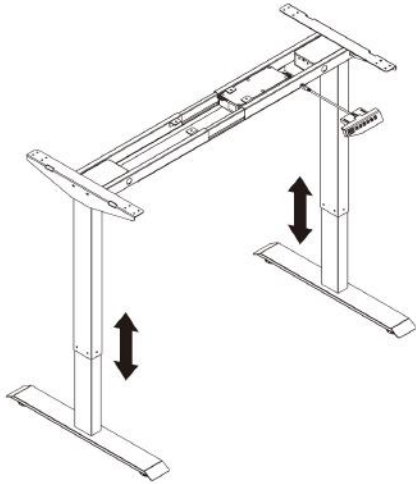


Model: SPE-G102B

Installation guide



Technical data

Column Stage	2	Input Voltage	100-240V
Max. Weight Capacity	100KG	Max Speed	32mm / s
Height Range	710-1190mm	Temperature	0-40°C
Certification	CE FCC CUL		
Duty Cycle	10%, Max. 2 min on/ Min. 18 min off		

Accessory list

Attention: The drawings below are only for reference which might be slightly different from the actual object, please in kind prevail. Any tools missing or installation problems, please contact the customer service firstly.

A x12 M6X10	B x8 #8X16	C x28 BT4-2X16	D x4 Cable tie	E x1 4X4 Allen Key x1 5X5 Allen Key
--------------------------	-------------------------	-----------------------------	-----------------------------	--------------------------------------------------------

Component list

No.	Part	Qty
①	Control Box	1

No.	Part	Qty
②	Power Plug	1

No.	Part	Qty
③	Lifting Column	2

No.	Part	Qty
④	Feet	2

No.	Part	Qty
⑤	Side bracket	2

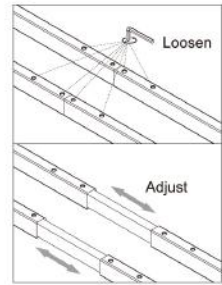
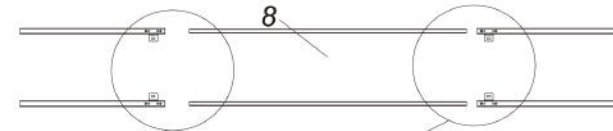
No.	Part	Qty
⑥	Cable tray	1

No.	Part	Qty
⑦	Hand Switch	1

No.	Part	Qty
⑧	Supporting Beam	2

STEP 1

Adjust the Supporting Beam(8)

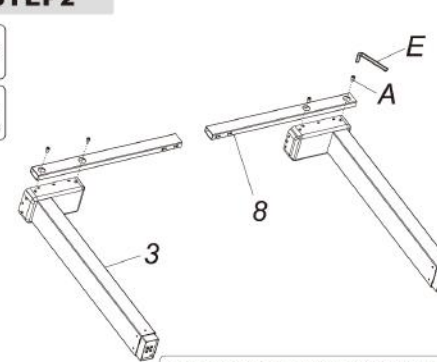


Adjust the supporting beam(8) until complete separation.

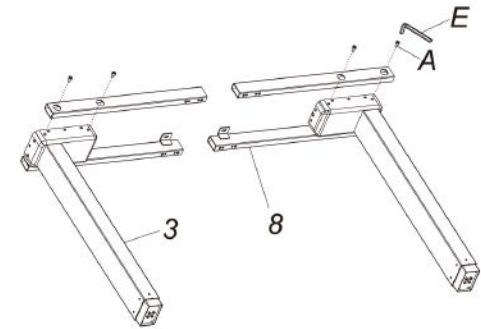


Use a padded or carpeted area for assembly to avoid damage.

STEP 2

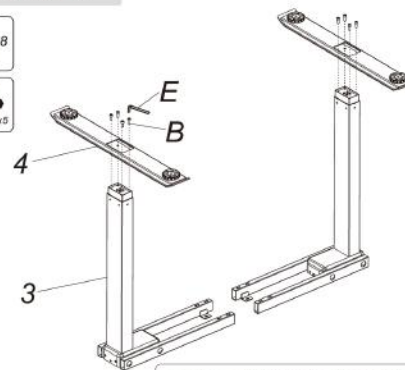


Install the supporting beam(8) on the lifting column(3), and use Allen Key(E) to tighten the screws(A).



Turn around the assembled parts, and use Allen Key(E) to tighten the screws(A) on this side.

STEP 3

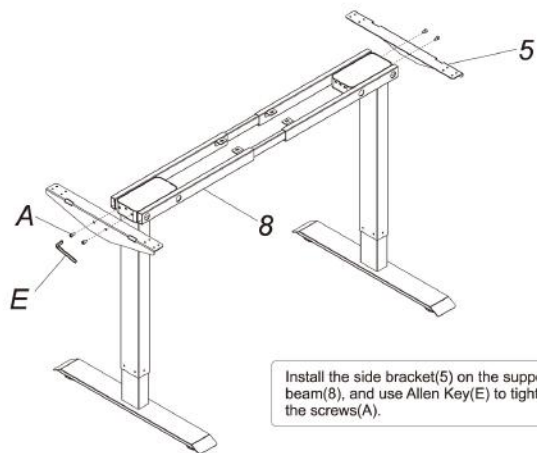


Install the feet(4) on the lifting column(3), and use Allen Key(E) to tighten the screws(B).



Insert the supporting beam rail into supporting beam end

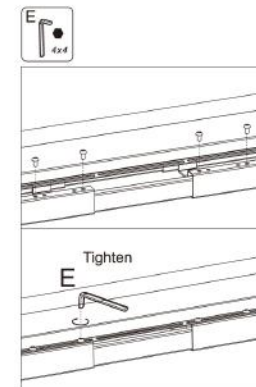
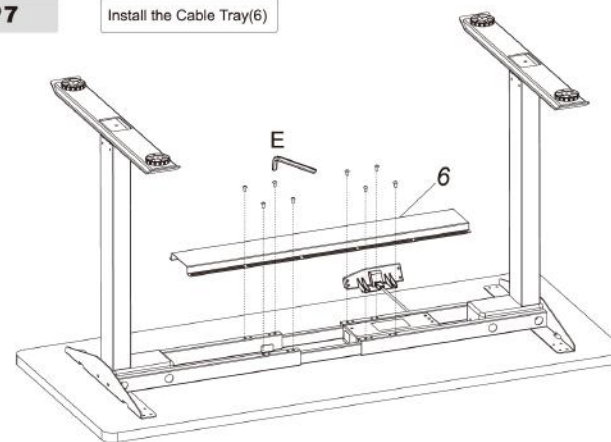
STEP4



Install the side bracket(5) on the supporting beam(8), and use Allen Key(E) to tighten the screws(A).

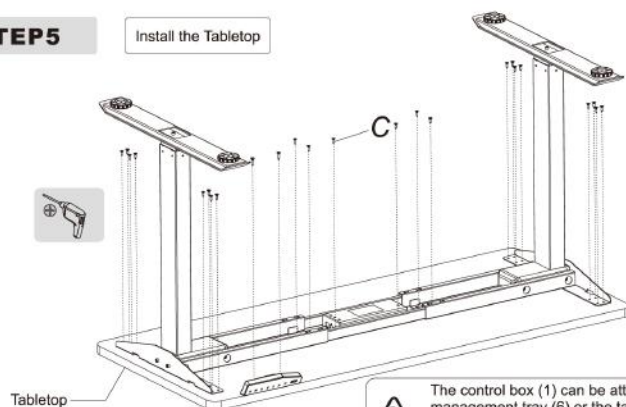
STEP7

Install the Cable Tray(6)



STEP5

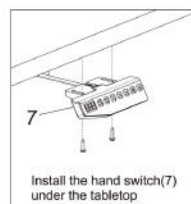
Install the Tabletop



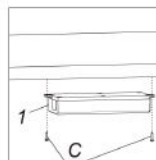
Tabletop



The control box (1) can be attached to the cable management tray (6) or the tabletop as shown. However, if you use CB38M2A(IB) control box, it has to install to the tabletop only. Otherwise, the anti-collision system will not work well.



Install the hand switch(7) under the tabletop



Install the control box(1) under the tabletop.

Common fault treatment

The following tips will help you detected and eliminate the common fault and error. If the fault you met is not listed below, please contact with your supplier. Only the manufacturer and professionals are capable for investigating and correcting those fault and error.

Fault phenomenon	Method
No response while long pressing down arrow after connected with a power supply	1. Check if all the cables be connected well 2. Contact your supplier or dealer
No response while pressing up arrow/down arrow after connected with a power supply	1. Check if all the cables be connected well 2. Contact your supplier or dealer
Rising in a low speed	1. Check if overloaded, max loading: 100kg; 2. Contact your supplier or dealer
The motor not move as instructed	1. Contact your supplier or dealer
Go down but not go up	1. Reposition 2. Contact your supplier or dealer
Downward sliding	1. Check if overloaded, max loading: 100kg; 2. Contact your supplier or dealer
Frequently Reposition	1. Check if overloaded, max loading: 100kg; 2. Contact your supplier or dealer
Overwork (Duty cycle: Max 2min on/18min OFF)	1. Restart after suspend for 18mins while connecting with power; 2. Contact your supplier or dealer;
Not enough up&down height	1. Press "M" and "3" together for 3 seconds or more, after hearing continuous beeping for twice, it will restore factory settings 2. Contact your supplier or dealer

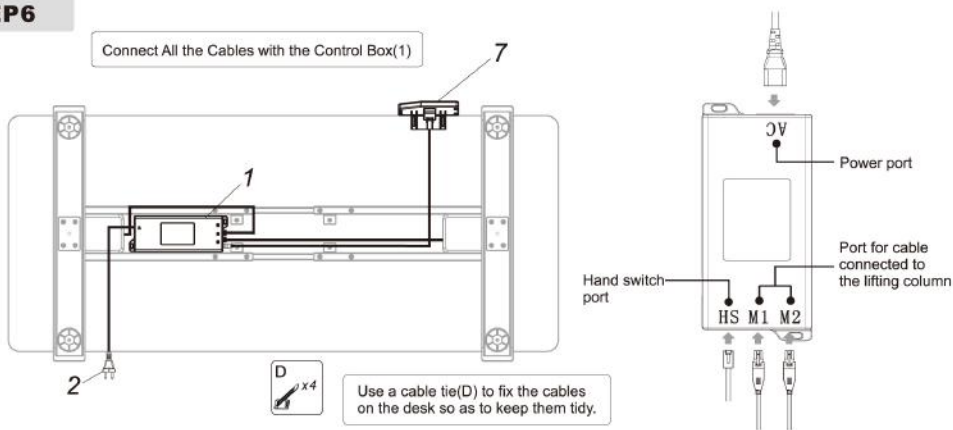


Attention

- Power supply: AC100V-240V,50/60Hz
- Service Environment: 0-40°C
- Unplug the power plug before cleaning, wipe the dust on surface with slight wet dishcloth when cleaning, be careful not to let the drops into the internal parts, not loose the connector.
- The electric box contains electronic components, metals, plastics, wires etc., so dispose of it in accordance with each country's environmental legislation, not the general household waste.
- Check carefully to ensure correct and complete assembly before using.
- Be familiar with all functions and program settings of the product before first use.
- Children are forbidden to play on the product because of unforeseen action when playing, so any dangerous consequences caused by this improper action will not be on.
- Slight noise caused by the V-ribbed belt or brake system due to structure will not have any effect on the use of the equipment.
- Corrosive or abrasive materials are forbidden to clean the equipment. Must ensure that the cleaner used will not pollute the environment.
- This appliance can be used by children aged from 8 years and above and persons with reduced physical, sensory or mental capabilities or lack of experience and knowledge if they have been given supervision or instruction concerning use of the appliance in a safe way and understand the hazards involved. Children shall not play with the appliance.
- Cleaning and user maintenance shall not be made by children without supervision.
- If the supply cord is damaged, it must be replaced by the manufacturer, its service agent or a similarly qualified person in order to avoid a hazard.
- Please make sure there is no hazard sources in your operating environment, e.g., do not litter the tools around. Always be careful to treat the packaging materials in order to avoid any possible danger, e.g. plastic bag may lead to choking hazard to children.
- Keep the original package of the equipment if necessary in case of the future use in transportation.

STEP6

Connect All the Cables with the Control Box(1)



Use a cable tie(D) to fix the cables on the desk so as to keep them tidy.

Waste disposal



This marking indicates that this product should not be disposed with other household wastes. To prevent possible harm to the environment or human health from uncontrolled waste disposal, recycle it responsibly to promote the sustainable reuse of material resources. To return your used device, please use the return and collection systems or contact the retailer where the product was purchased. They can take this product for environmental safe recycling.

Produced in ChRL for:
DMTrade Mikołaj Tomaszewski Wiśniowa 36; 64-000 Kościan, Poland
 NIP: PL 6981681757
 sklep@dmtrade.pl
 Tel.: +48 661082052 / +48 785082052