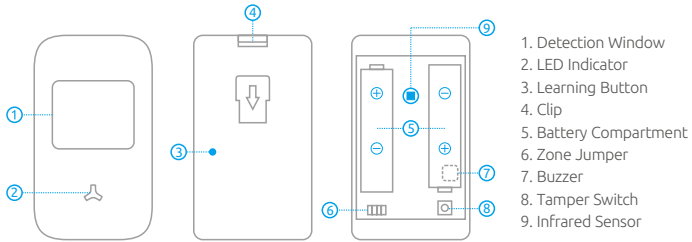


## Features

PIR-600 passive infrared sensor with novel and beautiful style, perfect streamline can be easily installed. It is designed to detect human movement indoor. Adopted advanced fuzzy logic chip and intelligent analysis distinguish signal between body movement and interference to minimize false alarms. The built-in buzzer remind you low battery state and event of tamper alarm, which ensure your safety.



**Infrared Sensor:** Detects the infrared rays released by human body motion.

Please do not touch the surface and keep it clean.

**Tamper Switch:** Once the case is opened, the tamper switch will be triggered, generating an alarm signal.

## Status Indicator



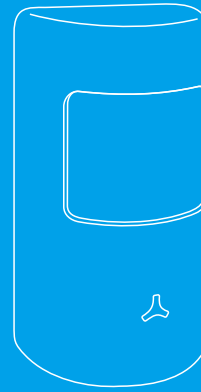
**LED Flashed Once:**

Movement is detected.



**LED flashes 5 times, and buzzer beeps 5 times:**

Power on, Tamper alarm, low battery indication.  
If it's in low battery state, please replace it immediately.



# PIR Motion Detector User Manual

## Specifications:

Power Supply: DC 3V (AA 1.5V LR6 Battery x 2pcs)

Standby Current:  $\leq 80\mu A$

Alarm Current:  $\leq 12mA$

Detection Area: 7-8m/110°

Wireless Transmit Distance:  $\leq 80$  m (in open area without interference)

Wireless RF Frequency: 315MHz/433MHz( $\pm 75KHz$ )

Temperature/Humidity:  $-10^{\circ}C$ - $55^{\circ}C$ / $\leq 80\%$  (Non-condensing)

Detector Dimensions (LxWxH): 90\*52\*36.5mm

Bracket Dimensions (LxWxH): 48\*26\*29mm

## Installation & Walk Test

### Testing Mode:

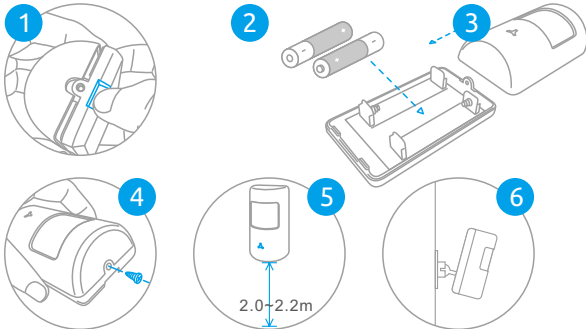
When the power is on, the LED indicator flashes 5 times, and buzzer beeps 5 times to enter testing mode. In this state, every movement will trigger the detector and activate the alarm signal. Detector enters working mode after 20 detections.

### Working Mode:

In this state, the detector enters sleeping mode to save power after first detection. If there's no movement within 4 minutes, the detector goes back to the working state. If there's detection occurs within 4 minutes, the time detector goes back to working state will be added accordingly.

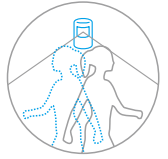
### Installation:

1. The motion detector should be installed in entry or exit which intruder can easily enter.
2. The detector is more sensitive to cross-movement than to direct movement. The performance of the detector is optimal when detection direction is across the walking direction of intruders.
3. Press the clip, insert the battery properly, and then close the cover.
4. Using screws to fix the bracket of detector on the wall, attach the detector to the bracket.
5. Keep LED indicator at the right direction. The fixing height is about 2~2.2m from the ground.
6. Adjust installation height or bracket to change the detection distance and angle.



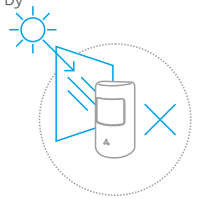
### Walk Test:

1. When the power is on, the LED indicator flashes five times and buzzer beeps five times to enter working state.
2. Walk across detection area and watch the LED indicator to make sure it flashes once when detecting the movement. After one detection, it will detect once every one minute.

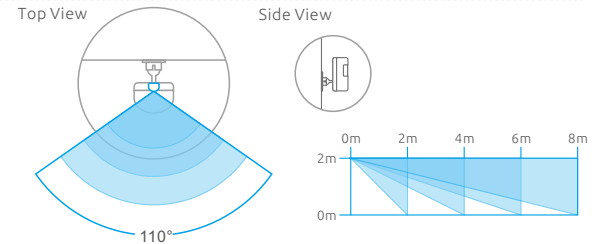


### Notice

1. Avoid mounting the detector close to places where heat changes fast or air stream flows frequently. (ie. Air conditioner, tube light, oven, waver, refrigerator etc.)
2. Avoid it facing to window which can be easily interfered by complicated environment. (ie. sunlight, crowds, or flowing cars etc.)
3. The product can reduce the possibility of accident, but the user is advised to take all necessary precautions for the safety and the protection of the property.



### Detection Area



### Connecting P.I.R. Motion Detector to Control Panel

The new-bought P.I.R. motion detector should be enrolled to the control panel before use. For specified operation, please refer to the manual of alarm system.