

## NP12-160Ah

Valve-regulated lead-acid battery



## GENERAL PURPOSE SERIES

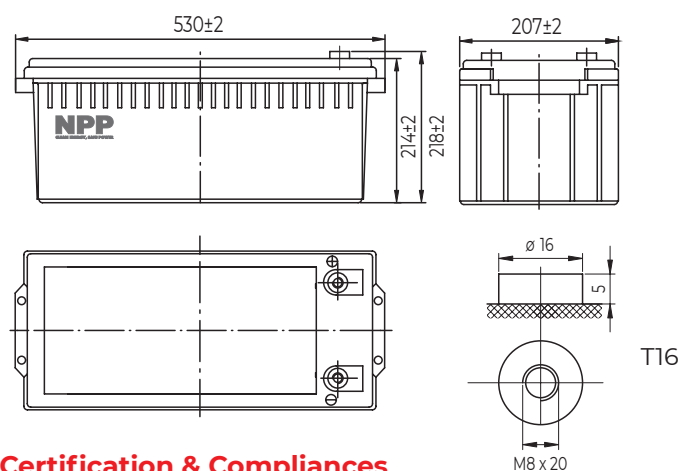
### Characteristics

Nominal voltage	12V (6 cells per unit)	
Nominal capacity at 10 hours rate/10.8V (25°C)	160Ah	
Capacity (25°C)	20 Hours rate/10.8V	169.6Ah
	5 Hours rate/10.8V	136.5Ah
Terminal type	T16	
Torque	12.3±2.5N.m	
Approx. internal resistance (25°C)	3.5mΩ	
Dimensions	Length	530±2mm (20.87inch)
	Width	207±2mm (8.15inch)
	Height	214±2mm (8.43inch)
	Total height (T14)	218±2mm (8.58inch)
Design Life (stand-by)	JIS at 25°C	10 years
	Eurobat at 20°C	10/12 years
Weight	50.00kg (110.23lbs)±3%	
Nominal operating temperature	25°C±3 (77±5°F)	
Operating temperature range	Discharge	-15°C~50°C (5°F~122°F)
	Charge	-10°C~50°C (14°F~122°F)
	Storage	-20°C~50°C (-4°F~122°F)
Float charging voltage at 25°C	13.5V~13.8V	
Cyclic charging voltage at 25°C	14.5V~15.0V	
Temperature compensation	Float charge	-18 mV/°C/Block
	Cycle charge	-30 mV/°C/Block
Max. charging current (A)	48A	
Max. discharge current for 5 seconds	1200A	
Self discharge rate (25°C)	≤3%/month	
Battery container ABS UL94-HB	V-0 optional	

### Overview

NPP Power General Purpose series batteries are designed with state-of-the-art AGM (absorbent glass mat) technology, high-performance plates and electrolyte. With excellent value and characteristics, this range is suitable for all general purpose applications.

### Dimensions & Terminal Type (mm)



### Certification & Compliances



Compliant to: EUROBAT, RoHS, WEEE's and Reach.  
Manufactured according to IEC 60896-21 / 22

### Construction

Component	Positive Plate	Negative plate	Container	Separator	Electrolyte	Safety valve	Terminal
Raw material	Lead dioxide	Lead	ABS (V-0 opt.)	AGM	Sulfuric Acid	Rubber	Copper

### Constant current discharge characteristics at 25°C

(Ampere/battery)

F.V/Time	15min	30min	60min	2h	3h	4h	5h	6h	8h	10h	20h
9.60V	269	161	98.9	58.5	42.1	33.6	28.7	25.0	19.7	16.3	8.63
9.90V	262	158	97.4	58.1	41.9	33.4	28.6	24.8	19.6	16.3	8.62
10.2V	253	153	94.9	57.6	41.6	33.2	28.4	24.7	19.5	16.2	8.59
10.5V	244	149	92.0	56.7	41.3	33.0	28.2	24.5	19.4	16.1	8.54
10.8V	231	144	89.0	55.3	40.0	32.0	27.3	23.7	18.8	16.0	8.48

### Constant power discharge characteristics at 25°C

(Watts/battery)

F.V/Time	15min	30min	60min	2h	3h	4h	5h	6h	8h	10h	20h
9.60V	3532	2767	1691	1057	635	464	371	318	220	182	97.1
9.90V	3426	2701	1658	1041	631	461	368	316	219	182	96.9
10.2V	3284	2601	1607	1015	625	458	366	314	217	181	96.6
10.5V	3143	2512	1568	983	616	455	363	312	216	180	96.1
10.8V	2967	2380	1510	951	600	441	352	303	209	179	95.4

The above characteristics represent average values and can be obtained within three charge and discharge cycles. The batteries must be fully charged before testing. The data in this document is subject to change without notice and become contractual only after written confirmation. Please contact NPP Power for the latest available version.

#### NPP Power (Vietnam) Co.,Ltd

Lot A22.3, Road C4, Thanh Thanh Cong Industrial Zone,  
An Hoa Village, Trang Bang District, Tay Ninh Province,  
Vietnam

#### Guangzhou NPP Power Co, Ltd.

No.67 Lianglong Road, Huashan Town, Huadu District,  
Guangzhou, China  
Email: info@nppower.com.cn Tel. +86 20 37887 390